

V-belt pulleys

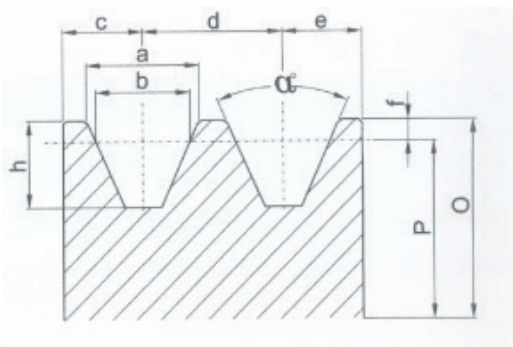
Proposed by CDT in this catalogue are all manufactured according to **ISO 4183** and **DIN 2211** norms.

The material used for the construction of these pulleys is cast iron **GG25** and after the machining all pulleys are being **PHOSPHATED**.

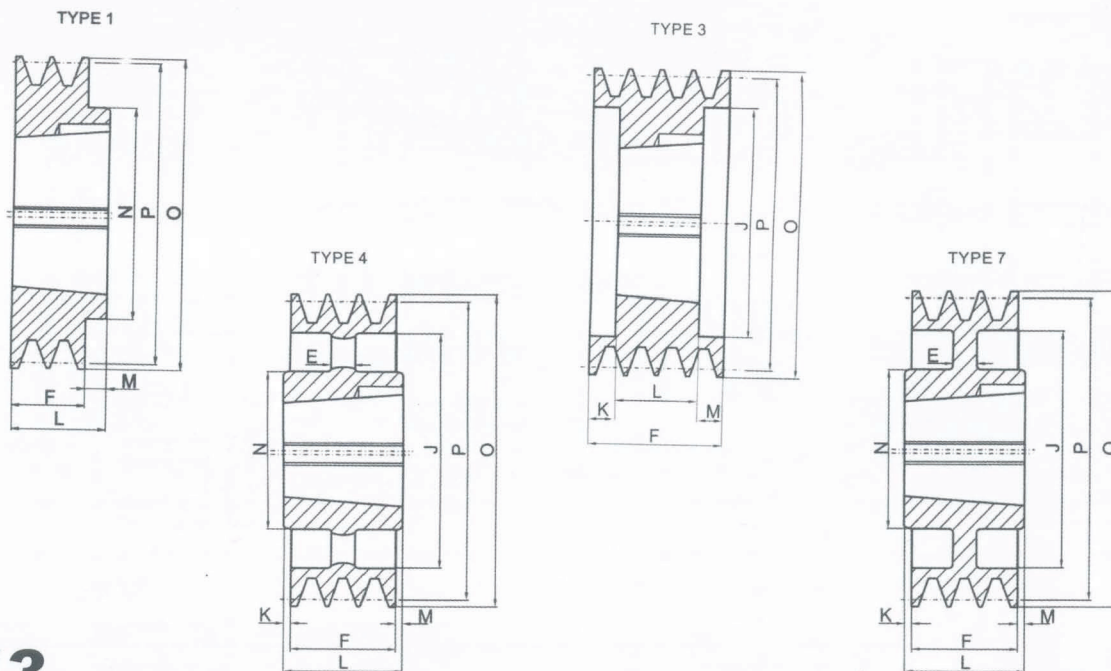
Each pulley is strictly **DYNAMICALLY BALANCED** with high precision dynamical balancing machining tools. Unbalanced volume will corrected accurately.

Each pulley

can be used safely and reliably.

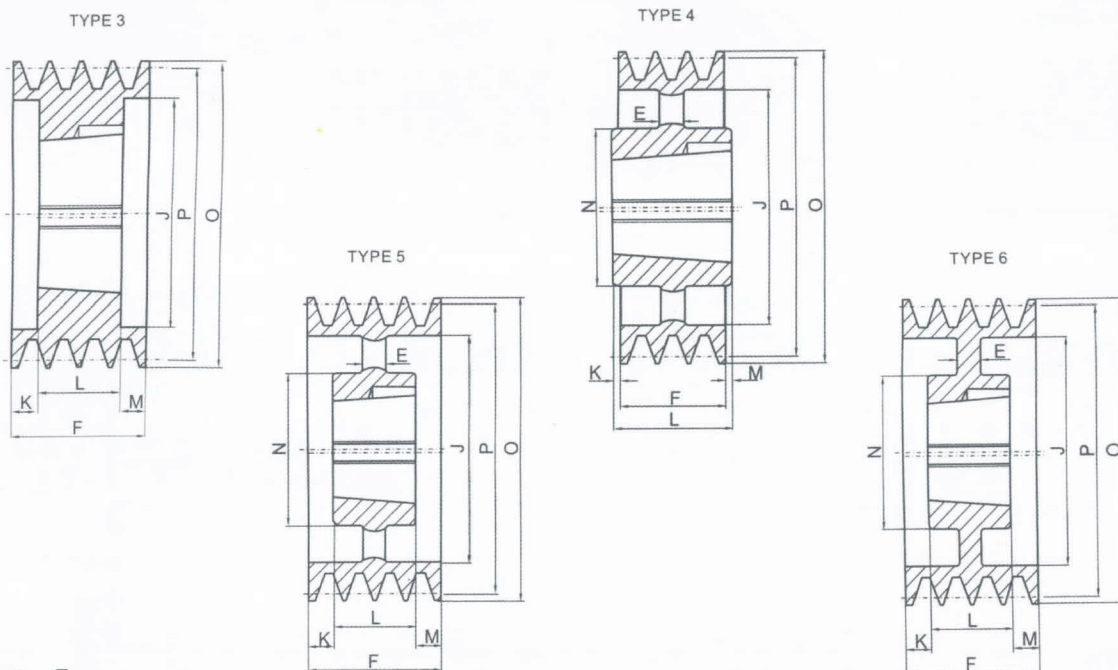


	a	b	c	d	e	f	h	34°	38°
SPZ	9.7	8.5	8	12	8	2.5	12	$P \leq 80^\circ$	$P \geq 80^\circ$
SPA	12.7	11	10	15	15	3.5	15	$P \leq 118^\circ$	$P \geq 118^\circ$
SPB	16.3	14	12.5	19	12.5	4	18	$P \leq 190^\circ$	$P \geq 190^\circ$
SPC	22	19	16	25	16	5	24	$P \leq 315^\circ$	$P \geq 315^\circ$



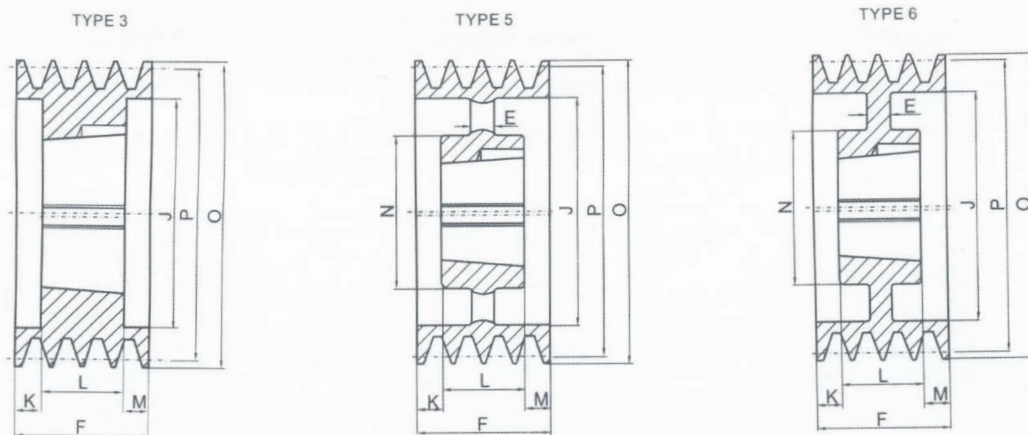
SPC/3

Type	Grooves	P	O	Type	Bush	Max Bore	E	F	J	K	L	M	N
SPC 200-03	3	200	209.6	3	2517	60	-	85	150	20	45	20	-
SPC 212-03	3	212	221.6	3	3020	75	-	85	162	17	51	17	-
SPC 224-03	3	224	233.6	3	3020	75	-	85	173	17	51	17	-
SPC 236-03	3	236	245.6	3	3020	75	-	85	185	17	51	17	-
SPC 250-03	3	250	245.6	3	3020	75	-	85	100	17	51	17	-
SPC 265-03	3	265	259.6	1	3535	90	-	85	209	-	89	4	170
SPC280-03	3	280	274.6	1	3535	90	-	85	224	-	89	4	170
SPC 300-03	3	300	289.6	7	3535	90	18	85	249	2	89	2	170
SPC 315-03	3	315	309.6	7	3535	90	18	85	264	2	89	2	170
SPC 335-03	3	335	324.6	7	3535	90	18	85	284	2	89	2	170
SPC 355-03	3	355	344.6	7	3535	90	18	85	304	2	89	2	170
SPC 375-03	3	375	364.6	7	3535	90	20	85	324	2	89	2	170
SPC 400-03	3	400	384.6	4	3535	90	-	85	344	2	89	2	170
SPC 425-03	3	425	409.6	4	3535	90	-	85	369	2	89	2	170
SPC 450-03	3	450	434.6	4	3535	90	-	85	394	2	89	2	170
SPC 475-03	3	475	459.6	4	3535	90	-	85	419	2	89	2	170
SPC 500-03	3	500	484.6	4	3535	90	-	85	444	2	89	2	170
SPC 530-03	3	530	509.6	4	3535	90	-	85	474	2	89	2	170
SPC 560-03	3	560	539.6	4	3535	90	-	85	504	2	89	2	170
SPC 630-03	3	630	569.6	4	3535	90	-	85	574	2	89	2	170
SPC 800-03	3	800	639.6	4	4040	100	-	85	737	8.5	102	8.5	200
SPC 900-03	3	900	809.6	4	4545	110	-	85	937	14.5	114	14.5	225
SPC 1000-03	3	1000	1009.6	4	5050	125	-	85	1187	21	127	21	245
SPC 1250-03	3	1250	1259.6	4	5050	125	-	85		21	127	21	245



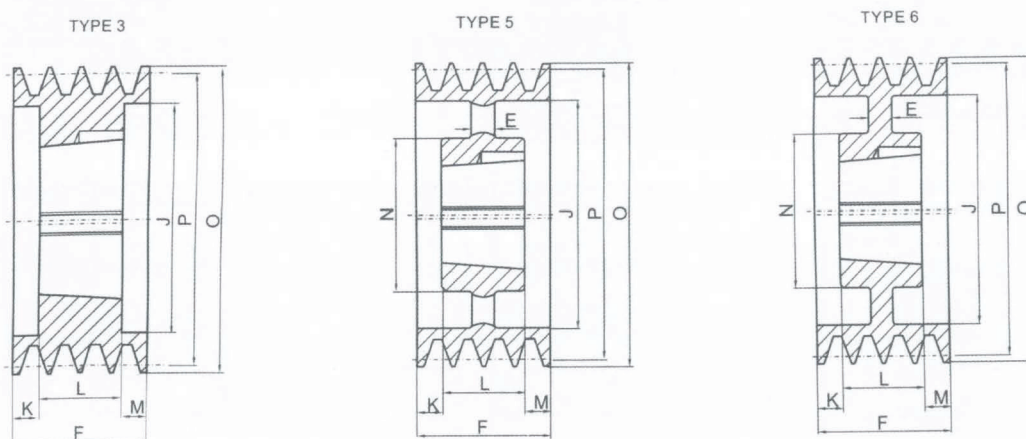
SPC/4

Type	Grooves	P	O	Type	Bush	Max Bore	E	F	J	K	L	M	N
SPC 200-04	4	200	209.6	3	3020	75	-	111	146	30	51	30	-
SPC 212-04	4	212	221.6	3	3020	75	-	111	156	30	51	30	-
SPC 224-04	4	224	233.6	3	3535	90	-	111	168	11	89	11	-
SPC 236-04	4	236	245.6	3	3535	90	-	111	180	11	89	11	-
SPC 250-04	4	250	259.6	3	3535	90	-	111	194	11	89	11	-
SPC 265-04	4	265	274.6	3	3535	90	-	111	209	11	89	11	-
SPC 280-04	4	280	289.6	3	3535	90	-	111	224	11	89	11	-
SPC 300-04	4	300	309.6	6	3535	90	20	111	244	11	89	11	170
SPC 315-04	4	315	324.6	6	3535	90	20	111	259	11	89	11	170
SPC 335-04	4	335	344.6	6	3535	90	20	111	279	11	89	11	170
SPC 355-04	4	355	364.6	6	3535	90	20	111	299	11	89	11	170
SPC 375-04	4	375	384.6	6	3535	90	25	111	319	11	89	11	170
SPC 400-04	4	400	409.6	5	3535	90	-	111	344	11	89	11	170
SPC 425-04	4	425	434.6	5	3535	90	-	111	369	11	89	11	170
SPC 450-04	4	450	459.6	5	3535	90	-	111	394	11	89	11	170
SPC 475-04	4	475	484.6	5	3535	90	-	111	419	11	89	11	170
SPC 500-04	4	500	509.6	5	3535	90	-	111	444	11	89	11	170
SPC 530-04	4	530	539.6	5	4040	100	-	111	474	4.5	102	4.5	200
SPC 560-04	4	560	569.6	5	4040	100	-	111	504	4.5	102	4.5	200
SPC 630-04	4	630	639.6	4	4545	110	-	111	574	1.5	114	1.5	225
SPC 710-04	4	710	719.6	4	5050	125	-	111	654	4	127	12	245
SPC 800-04	4	800	809.6	4	5050	125	-	111	787	4	127	12	245
SPC 1000-04	4	1000	1009.6	4	5050	125	-	111	937	4	127	12	245
SPC 1250-04	4	1250	1259.6	4	5050	125	-	111	1187	4	127	12	245



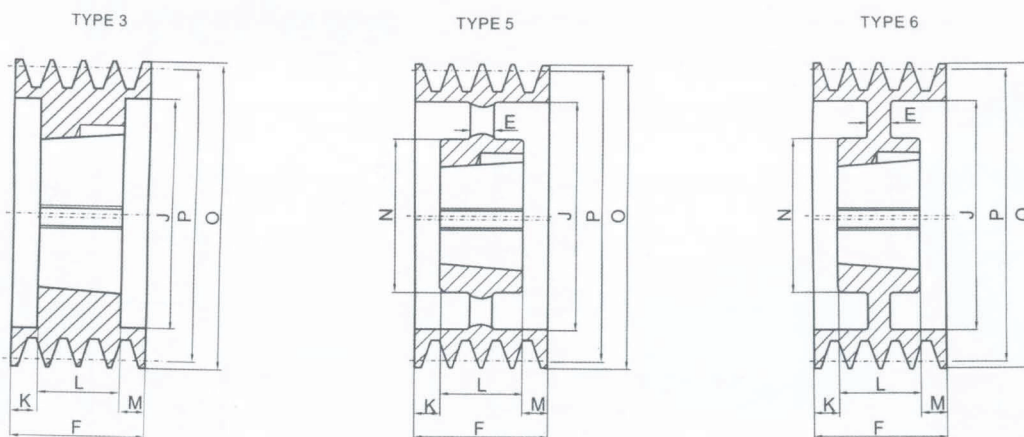
SPC15

Type	Grooves	P	O	Type	Bush	Max Bore	E	F	J	K	L	M	N
SPC 200-05	5	200	209.6	3	3535	90	-	136	150	23.5	89	23.5	-
SPC 212-05	5	212	221.6	3	3020	90	-	136	160	23.5	89	23.5	-
SPC 224-05	5	224	233.6	3	3020	90	-	136	173	23.5	89	23.5	-
SPC 236-05	5	236	245.6	3	3020	90	-	136	185	23.5	89	23.5	-
SPC 250-05	5	250	259.6	3	3020	90	-	136	198	23.5	89	23.5	-
SPC 265-05	5	265	274.6	3	3535	90	-	136	213	23.5	89	23.5	-
SPC280-05	5	280	289.6	3	3535	90	-	136	228	23.5	89	23.5	-
SPC 300-05	5	300	309.6	6	3535	90	20	136	247	23.5	89	23.5	170
SPC 315-05	5	315	324.6	6	3535	90	20	136	264	23.5	89	23.5	170
SPC 335-05	5	335	344.6	6	3535	90	20	136	280	23.5	89	23.5	170
SPC 355-05	5	355	364.6	6	3535	90	20	136	304	23.5	89	23.5	170
SPC 375-05	5	375	384.6	6	3535	90	20	136	324	23.5	89	23.5	170
SPC 400-05	5	400	409.6	5	3535	90	-	136	344	23.5	89	23.5	170
SPC 425-05	5	425	434.6	5	3535	90	-	136	369	23.5	102	23.5	170
SPC 450-05	5	450	459.6	5	4040	100	-	136	394	17	102	17	170
SPC 475-05	5	475	484.6	5	4040	100	-	136	419	17	102	17	200
SPC 500-05	5	500	509.6	5	4545	100	-	136	444	17	102	17	200
SPC 530-05	5	530	539.6	5	4545	100	-	136	474	17	102	17	200
SPC 560-05	5	560	569.6	5	5050	125	-	136	504	11	114	11	200
SPC 630-05	5	630	639.6	5	5050	125	-	136	574	4.5	127	4.5	245
SPC 710-05	5	710	719.6	5	5050	125	-	136	654	4.5	127	4.5	245
SPC 800-05	5	800	809.6	5	5050	125	-	136	737	4.5	127	4.5	245
SPC 1000-05	5	1000	1009.6	5	5050	125	-	136	937	4.5	127	4.5	245
SPC 1250-05	5	1250	1259.6	5	5050	125	-	136	1187	4.5	127	4.5	245



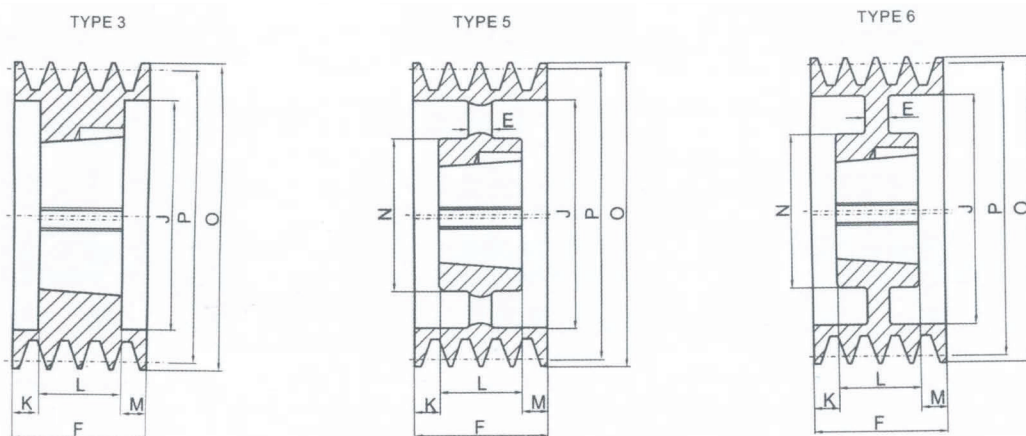
SPC/6

Type	Grooves	P	O	Type	Bush	Max Bore	E	F	J	K	L	M	N
SPC 200-06	6	200	209.6	3	3535	90	-	162	148	36.5	89	36.5	-
SPC 212-06	6	212	221.6	3	3535	90	-	162	160	36.5	89	36.5	-
SPC 224-06	6	224	233.6	3	3535	90	-	162	173	36.5	89	36.5	-
SPC 236-06	6	236	245.6	3	3535	90	-	162	185	36.5	89	36.5	-
SPC 250-06	6	250	259.6	3	3535	90	-	162	198	36.5	89	36.5	-
SPC 265-06	6	265	274.6	3	3535	90	-	162	213	36.5	89	36.5	-
SPC 280-06	6	280	289.6	3	3535	90	-	162	228	36.5	89	36.5	-
SPC 300-06	6	300	309.6	6	3535	90	20	162	247	36.5	89	36.5	170
SPC 315-06	6	315	324.6	6	3535	90	20	162	264	36.5	89	36.5	170
SPC 335-06	6	335	344.6	6	3535	90	20	162	280	36.5	89	36.5	170
SPC 355-06	6	355	364.6	6	3535	90	20	162	304	36.5	102	36.5	170
SPC 375-06	6	375	384.6	6	4040	100	20	162	324	30	102	30	200
SPC 400-06	6	400	409.6	6	4040	100	20	162	348	30	102	30	200
SPC 425-06	6	425	434.6	6	4040	100	30	162	369	30	114	30	225
SPC 450-06	6	450	459.6	6	4545	100	30	162	394	24	114	24	225
SPC 475-06	6	475	484.6	6	4545	100	30	162	419	24	114	24	225
SPC 500-06	6	500	509.6	5	4545	100	30	162	444	24	114	24	225
SPC 530-06	6	530	539.6	5	5050	125	30	162	474	17.5	127	17.5	245
SPC 560-06	6	560	569.6	5	5050	125	-	162	504	24	127	24	245
SPC 630-06	6	630	639.6	5	5050	125	-	162	574	17.5	127	17.5	245
SPC 710-06	6	710	719.6	5	5050	125	-	162	654	17.5	127	17.5	245
SPC 800-06	6	800	809.6	5	5050	125	-	162	737	17.5	127	17.5	245
SPC 1000-06	6	1000	1009.6	5	5050	125	-	162	937	17.5	127	17.5	245
SPC 1250-06	6	1250	1259.6	5	5050	125	-	162	1187	17.5	127	17.5	245



SPC/8

Type	Grooves	P	O	Type	Bush	Max Bore	E	F	J	K	L	M	N
SPC 200-06	8	200	209.6	3	3535	90	-	213	148	62	89	62	-
SPC 212-06	8	212	221.6	3	3535	90	-	213	160	62	89	62	-
SPC 224-06	8	224	233.6	3	3535	90	-	213	170	62	89	62	-
SPC 236-06	8	236	245.6	3	3535	90	-	213	184	62	89	62	-
SPC 250-06	8	250	259.6	3	3535	90	-	213	198	62	89	62	-
SPC 265-06	8	265	274.6	3	3535	90	-	213	213	62	89	62	-
SPC 280-06	8	280	289.6	3	3535	90	-	213	228	62	89	62	-
SPC 300-06	8	300	309.6	3	4040	100	-	213	207	55.5	102	55.5	-
SPC 315-06	8	315	324.6	3	4040	100	-	213	258	55.5	102	55.5	-
SPC 335-06	8	335	344.6	3	4040	100	-	213	280	55.5	102	55.5	-
SPC 355-06	8	355	364.6	3	4040	100	-	213	304	55.5	102	55.5	-
SPC 375-06	8	375	384.6	3	4545	110	-	213	324	49.5	114	49.5	-
SPC 400-06	8	400	409.6	6	4545	110	20	213	348	49.5	114	49.5	220
SPC 425-06	8	425	434.6	6	4545	110	30	213	369	49.5	114	49.5	245
SPC 450-06	8	450	459.6	6	5050	125	30	213	394	43	127	43	245
SPC 475-06	8	475	484.6	6	5050	125	30	213	419	43	127	43	245
SPC 500-06	8	500	509.6	6	5050	125	30	213	444	43	127	43	245
SPC 530-06	8	530	539.6	5	5050	125	30	213	474	43	127	43	245
SPC 560-06	8	560	569.6	5	5050	125	-	213	504	43	127	43	245
SPC 630-06	8	630	639.6	5	5050	125	-	213	574	43	127	43	245
SPC 710-06	8	710	719.6	5	5050	125	-	213	656	43	127	43	245
SPC 800-06	8	800	809.6	5	5050	125	-	213	737	43	127	43	245
SPC 1000-06	8	1000	1009.6	5	5050	125	-	213	937	43	127	43	245
SPC 1250-06	8	1250	1259.6	5	5050	125	-	213	1187	43	127	43	245



SPC/10

Type	Grooves	P	O	Type	Bush	Max Bore	E	F	J	K	L	M	N
SPC 250-10	10	250	259.6	3	4040	100	-	264	196	81	102	81	-
SPC 280-10	10	280	289.6	3	4040	100	-	264	226	81	102	81	-
SPC 300-10	10	300	309.6	3	4545	110	-	264	245	75	114	75	-
SPC 315-10	10	315	324.6	3	4545	110	-	264	258	75	114	75	-
SPC 355-10	10	355	364.6	3	4545	110	-	264	299	75	114	75	-
SPC 400-10	10	400	409.6	3	5050	125	-	264	342	68.5	127	68.5	245
SPC 450-10	10	450	459.6	6	5050	125	40	264	394	68.5	127	68.5	245
SPC 500-10	10	500	509.6	6	5050	125	40	264	444	68.5	127	68.5	245
SPC 560-10	10	560	569.6	5	5050	125	-	264	504	68.5	127	68.5	245
SPC 630-10	10	630	639.6	5	5050	125	-	264	574	68.5	127	68.5	245
SPC 710-10	10	710	719.6	5	5050	125	-	264	654	68.5	127	68.5	245
SPC 800-10	10	800	809.6	5	5050	125	-	264	737	68.5	127	68.5	245
SPC 1000-10	10	1000	1009.6	5	5050	125	-	264	937	68.5	127	68.5	245
SPC 1250-10	10	1250	1259.6	5	5050	125	-	264	1187	68.5	127	68.5	245